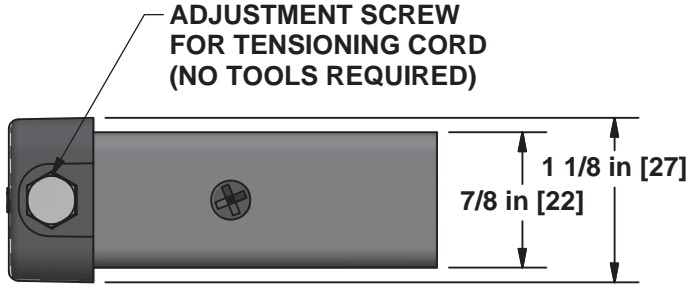


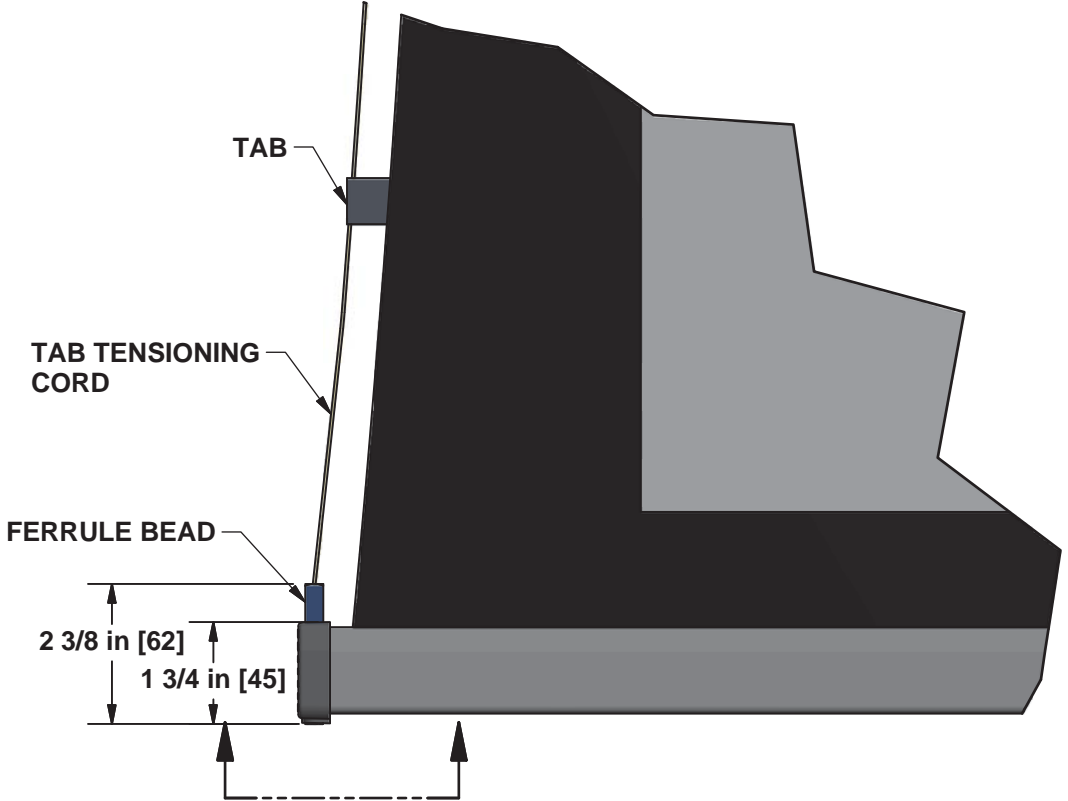
**NOTE: DARK COLORS HAVE BEEN LIGHTENED FOR CLARITY PURPOSES**

**RESTRICTION:** The information contained in the proposal is confidential and proprietary to Stewart Filmscreen Corporation, shall not be disclosed beyond the vendor company, and shall not be duplicated, used, or disclosed inwhole or in part for any purpose except to evaluate this proposal.

DIMENSIONS ARE Inches [mm]		DRAWN BY:		<b>Stewart</b> FILMSCREEN 1161 W. Sepulveda Blvd., Torrance, CA 90502 Customer Care (800) 762-4999 Fax (310) 326-6870	
TOLERANCES: +/- 1/8 in (UNLESS OTHERWISE SPECIFIED)		Engineering			
APPROXIMATE SCREEN WEIGHT:		DRAWING TYPE:		TITLE <b>CIMA ABOVE CEILING</b>	
48 LBS		Typical			
APPROXIMATE SHIPPING WEIGHT:		CREATION DATE:			
132 LBS		7/30/14		REV.	
MODEL #:		CASE COLOR:		SIZE	SHEET
CIAC100HW-12-2-5		White		A	1 OF 7
				PART NO.	00910



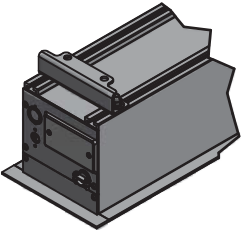
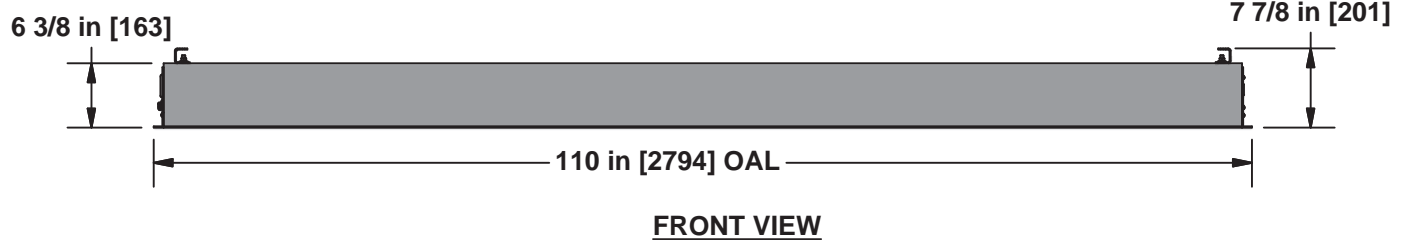
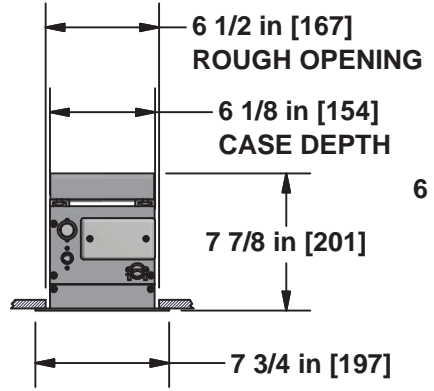
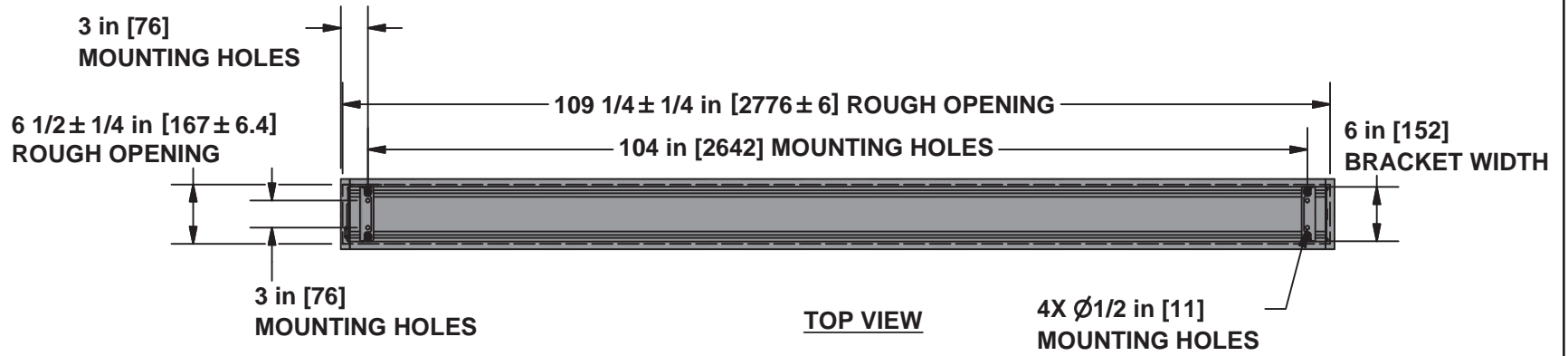
**BATTEN END CAP**  
REFLECTED CEILING VIEW



**BATTEN DETAIL**  
TAB TENSIONING VIEW

DIMENSIONS ARE Inches [mm]		DRAWN BY:		<b>Stewart</b> FILMSCREEN 1161 W. Sepulveda Blvd., Torrance, CA 90502 Customer Care (800) 762-4999 Fax (310) 326-6870	
TOLERANCES: +/- 1/8 in (UNLESS OTHERWISE SPECIFIED)		Engineering			
APPROXIMATE SCREEN WEIGHT:		DRAWING TYPE:		TITLE <b>CIMA ABOVE CEILING</b>	
48 LBS		Typical			
APPROXIMATE SHIPPING WEIGHT:		CREATION DATE:			
132 LBS		7/30/14		MODEL #:	
MODEL #:		CIAC100HW-12-2-5		SIZE	
CASE COLOR:		White		SHEET	
		A		PART NO.	
		2 OF 7		00910	
				REV.	

**RESTRICTION:** The information contained in the proposal is confidential and proprietary to Stewart Filmscreen Corporation, shall not be disclosed beyond the vendor company, and shall not be duplicated, used, or disclosed inwhole or in part for any purpose except to evaluate this proposal.

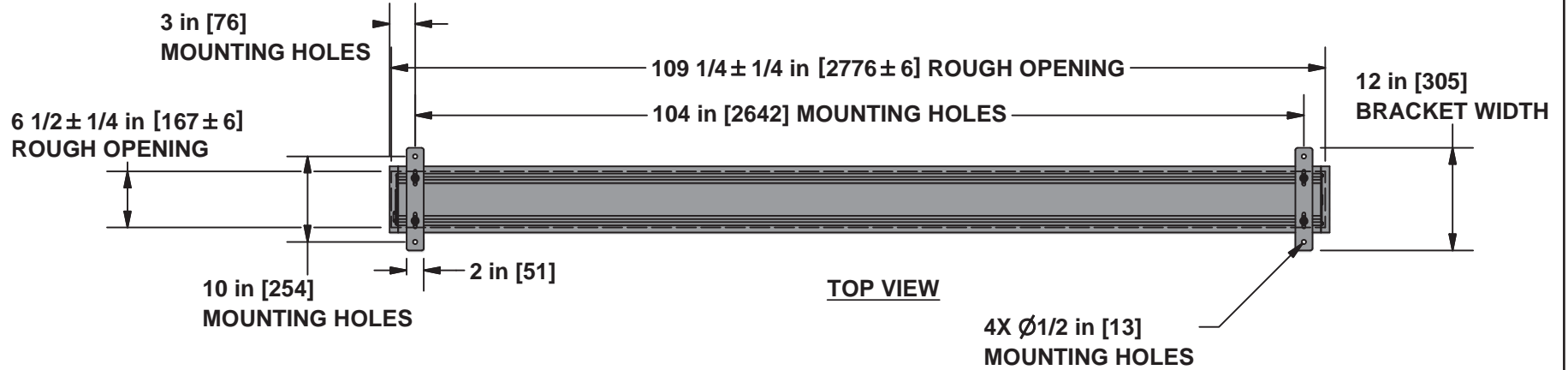


**ISOMETRIC VIEW**

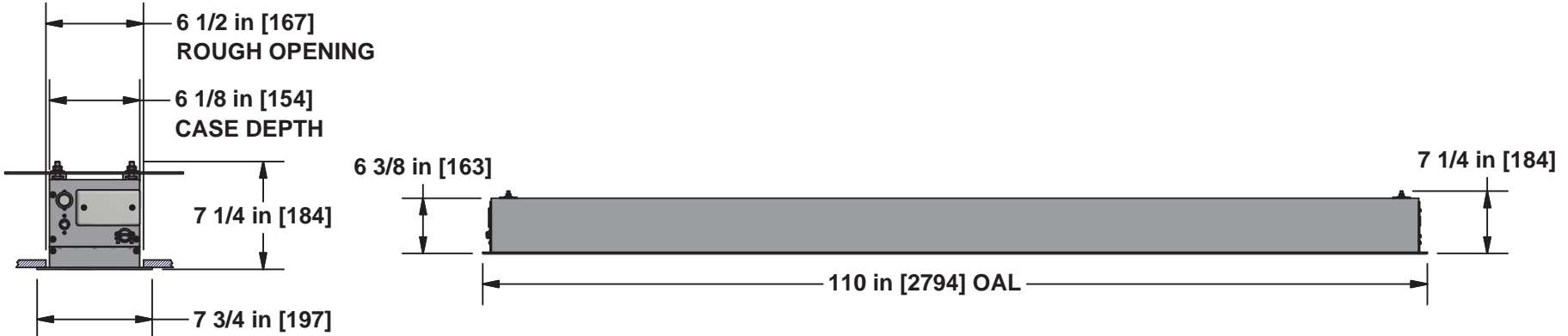
**MOUNTING BRACKET  
STANDARD**

DIMENSIONS ARE Inches [mm]		DRAWN BY: Engineering		<b>Stewart</b> FILMSCREEN 1161 W. Sepulveda Blvd., Torrance, CA 90502 Customer Care (800) 762-4999 Fax (310) 326-6870	
TOLERANCES: +/- 1/8 in (UNLESS OTHERWISE SPECIFIED)		DRAWING TYPE: Typical			
APPROXIMATE SCREEN WEIGHT: 48 LBS		CREATION DATE: 7/30/14		TITLE <b>CIMA ABOVE CEILING</b>	
APPROXIMATE SHIPPING WEIGHT: 132 LBS		MODEL #: CIAC100HW-12-2-5			
CASE COLOR: White		SIZE A	SHEET 3 OF 7	PART NO. 00910	REV.

**RESTRICTION:** The information contained in the proposal is confidential and proprietary to Stewart Filmscreen Corporation, shall not be disclosed beyond the vendor company, and shall not be duplicated, used, or disclosed inwhole or in part for any purpose except to evaluate this proposal.

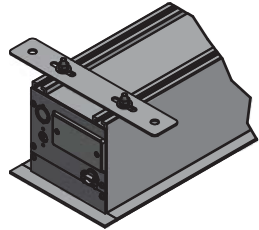


TOP VIEW



FRONT VIEW

SIDE VIEW  
(NOT TO SCALE)

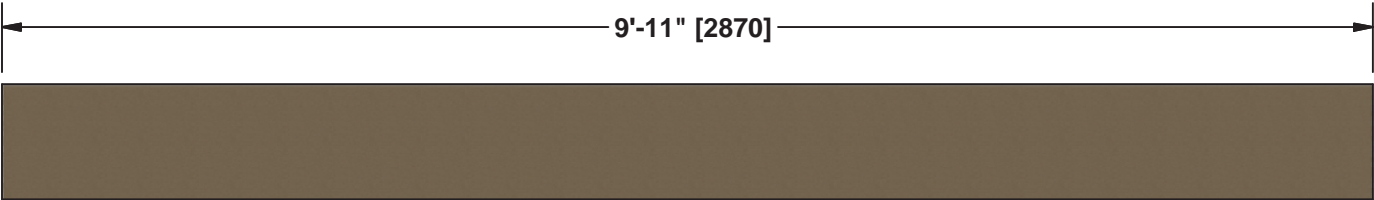


ISOMETRIC VIEW

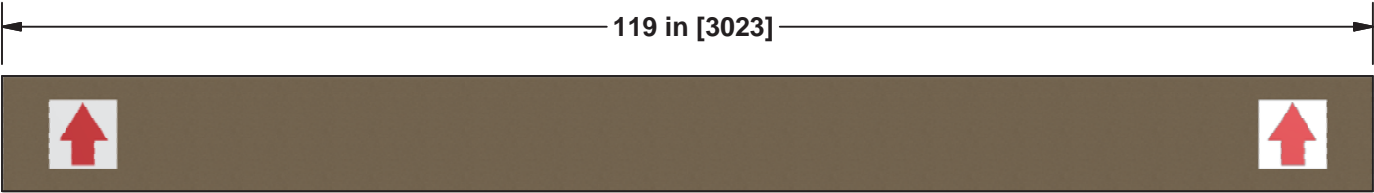
**MOUNTING BRACKET  
OPTIONAL**

DIMENSIONS ARE Inches [mm]		DRAWN BY: Engineering		<b>Stewart</b> FILMSCREEN 1161 W. Sepulveda Blvd., Torrance, CA 90502 Customer Care (800) 762-4999 Fax (310) 326-6870	
TOLERANCES: +/- 1/8 in (UNLESS OTHERWISE SPECIFIED)		DRAWING TYPE: Typical			
APPROXIMATE SCREEN WEIGHT: 48 LBS		CREATION DATE: 7/30/14		TITLE CIMA ABOVE CEILING	
APPROXIMATE SHIPPING WEIGHT: 132 LBS		MODEL #: CIAC100HW-12-2-5		SIZE A	SHEET 4 OF 7
CASE COLOR: White				PART NO. 00910	REV.

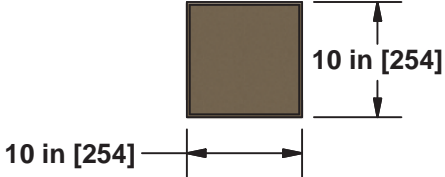
**RESTRICTION:** The information contained in the proposal is confidential and proprietary to Stewart Filmscreen Corporation, shall not be disclosed beyond the vendor company, and shall not be duplicated, used, or disclosed inwhole or in part for any purpose except to evaluate this proposal.



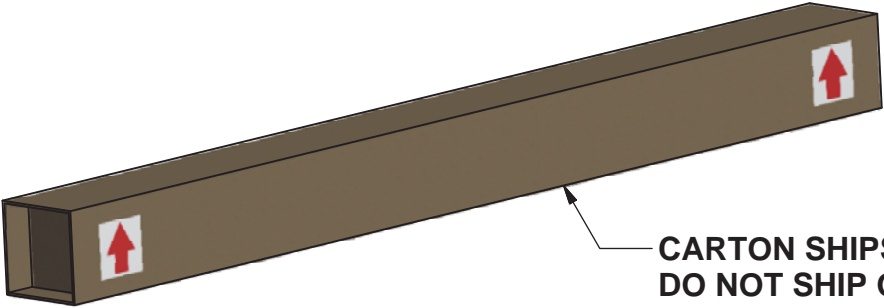
**TOP VIEW**



**FRONT VIEW**



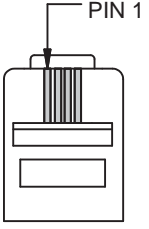
**SIDE VIEW**



**CARTON SHIPS FLAT  
DO NOT SHIP OR STORE  
ON END**

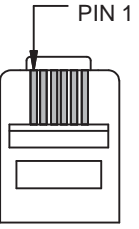
**RESTRICTION:** The information contained in the proposal is confidential and proprietary to Stewart Filmscreen Corporation, shall not be disclosed beyond the vendor company, and shall not be duplicated, used, or disclosed inwhole or in part for any purpose except to evaluate this proposal.

DIMENSIONS ARE Inches [mm]		DRAWN BY: Engineering		<b>Stewart</b> FILMSCREEN 1161 W. Sepulveda Blvd., Torrance, CA 90502 Customer Care (800) 762-4999 Fax (310) 326-6870	
TOLERANCES: +/- 1/8 in (UNLESS OTHERWISE SPECIFIED)		DRAWING TYPE: Typical			
APPROXIMATE SCREEN WEIGHT: 48 LBS		CREATION DATE: 7/30/14		TITLE <b>CIMA ABOVE CEILING</b>	
APPROXIMATE SHIPPING WEIGHT: 132 LBS		MODEL #: CIAC100HW-12-2-5			
CASE COLOR: White		SIZE A	SHEET 5 OF 7	PART NO. 00910	REV.



4 PIN:

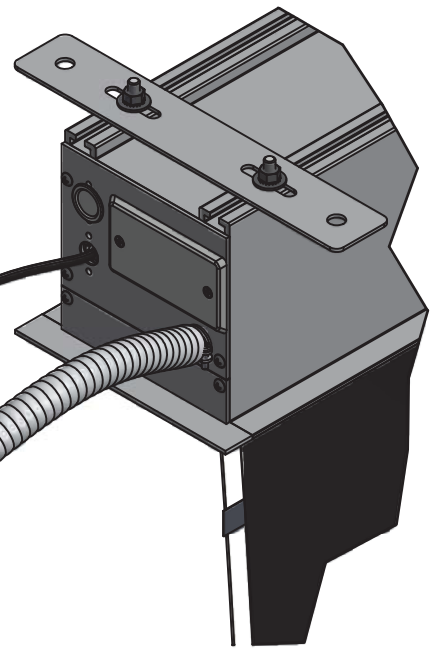
PIN	SIGNAL
1	COMMON
2	LV1
3	LV2
4	STI



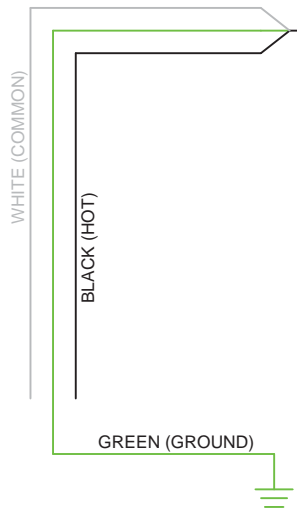
6 PIN:

PIN	SIGNAL
1	NOT USED
2	COMMON
3	LV1
4	LV2
5	STI
6	NOT USED

STI INPUT  
4 PIN OR 6 PIN  
RJ25 CONNECTOR  
SEE CHART



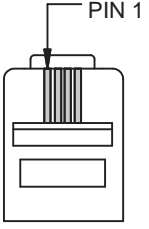
POWER CONDUIT



# 120 VOLT WIRING

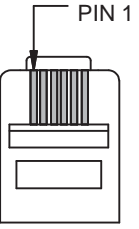
DIMENSIONS ARE Inches [mm]		DRAWN BY: Engineering		<b>Stewart</b> FILMSCREEN 1161 W. Sepulveda Blvd., Torrance, CA 90502 Customer Care (800) 762-4999 Fax (310) 326-6870	
TOLERANCES: +/- 1/8 in (UNLESS OTHERWISE SPECIFIED)		DRAWING TYPE: Typical			
APPROXIMATE SCREEN WEIGHT: 48 LBS		CREATION DATE: 7/30/14		TITLE CIMA ABOVE CEILING	
APPROXIMATE SHIPPING WEIGHT: 132 LBS		MODEL #: CIAC100HW-12-2-5		REV.	
CASE COLOR: White		SIZE A	SHEET 6 OF 7	PART NO. 00910	

**RESTRICTION:** The information contained in the proposal is confidential and proprietary to Stewart Filmscreen Corporation, shall not be disclosed beyond the vendor company, and shall not be duplicated, used, or disclosed in whole or in part for any purpose except to evaluate this proposal.



4 PIN:

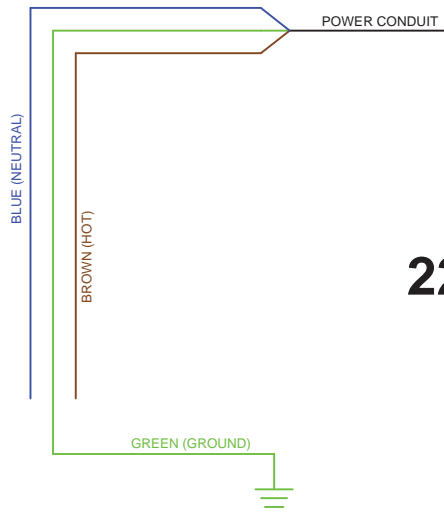
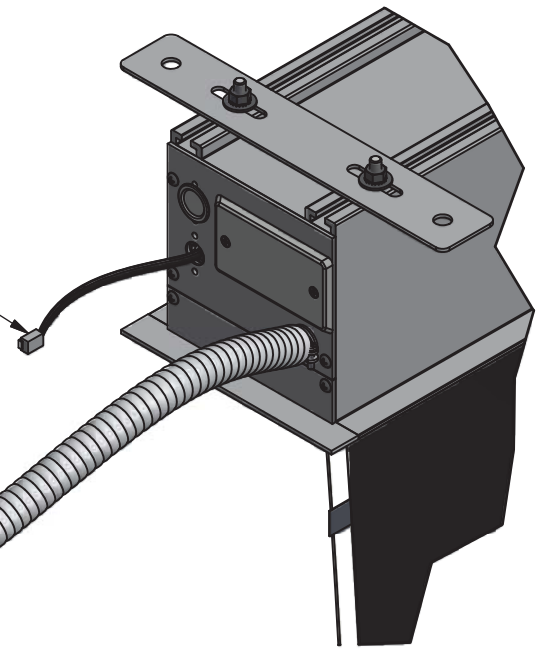
PIN	SIGNAL
1	COMMON
2	LV1
3	LV2
4	STI



6 PIN:

PIN	SIGNAL
1	NOT USED
2	COMMON
3	LV1
4	LV2
5	STI
6	NOT USED

STI INPUT  
4 PIN OR 6 PIN  
RJ25 CONNECTOR  
SEE CHART



## 220 VOLT WIRING

DIMENSIONS ARE Inches [mm]		DRAWN BY: Engineering		<b>Stewart</b> FILMSCREEN 1161 W. Sepulveda Blvd., Torrance, CA 90502 Customer Care (800) 762-4999 Fax (310) 326-6870	
TOLERANCES: +/- 1/8 in (UNLESS OTHERWISE SPECIFIED)		DRAWING TYPE: Typical			
APPROXIMATE SCREEN WEIGHT: 48 LBS		CREATION DATE: 7/30/14		TITLE CIMA ABOVE CEILING	
APPROXIMATE SHIPPING WEIGHT: 132 LBS		MODEL #: CIAC100HW-12-2-5		REV.	
CASE COLOR: White		SIZE A	SHEET 7 OF 7	PART NO. 00910	

**RESTRICTION:** The information contained in the proposal is confidential and proprietary to Stewart Filmscreen Corporation, shall not be disclosed beyond the vendor company, and shall not be duplicated, used, or disclosed in whole or in part for any purpose except to evaluate this proposal.